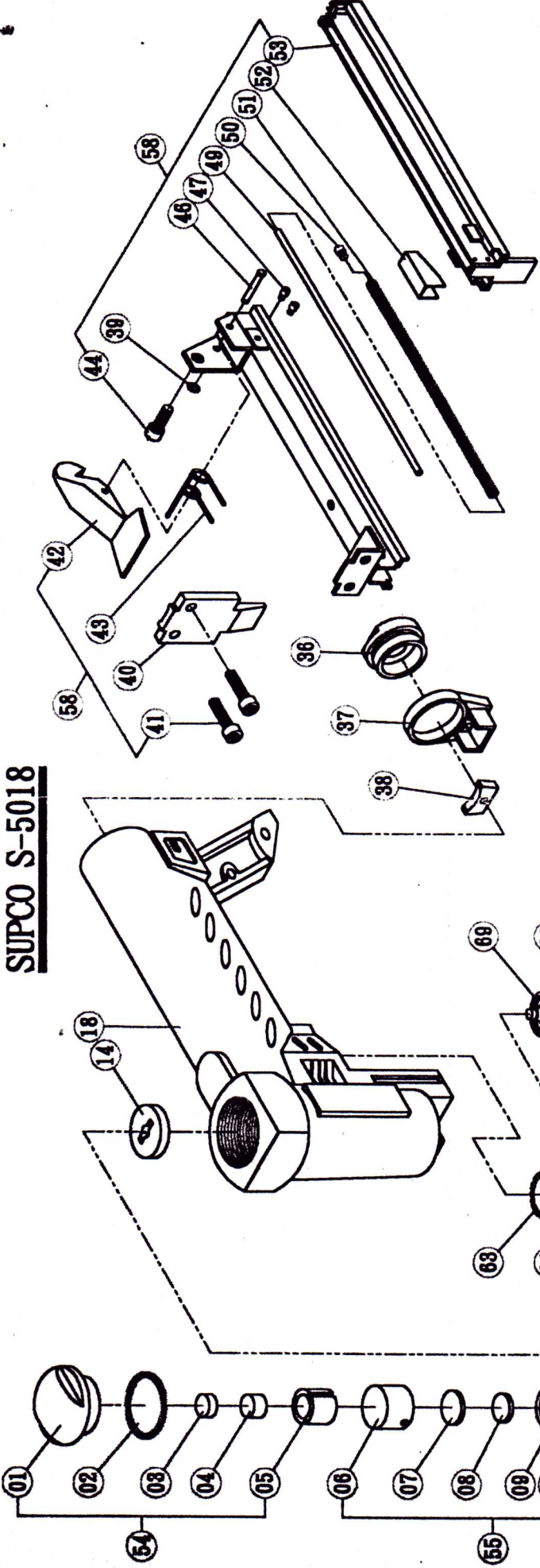


# SUPCO S-5018



01	CA-06	CAP	34	TG-11	TRIGGER	55	PS-35	PISTON & DRIVER ASSEMBLY
02	OR-47	O-RING	35	SM-25	TRIGGER PIN	58	MZ-31	MAGAZINE ASSEMBLY
03	ES-11	DAMPER	36	CA-07	AIR INLET CAP	63	OR-60	O-RING
04	CA-08	PISTON STOP	37	ES-14	EXHAUST COVER	64	VS-25	OUT SWITCH II
05	ES-12	CAP SLEEVE	38	SW-07	EXHAUST MESH	65	OR-59	O-RING
06	PS-07	PISTOP COVER	39	E-2.5	E-RING	66	VS-26	VALVE I
07	ES-15	DAMPER	40	FP-16	FRONT PLATE	67	SP-33	SPRING
08	WS-22	BLADE STOP	41	M5x20	SCREW	68	OR-58	O-RING
09	BP-07	PISTON	42	FC-19	LATCH	69	VS-24	SWITCH CAP
10	DB-16	DRIVE BLADE	43	SP-27	LATCH SPRING	70	SP-32	VALVE PLUNGER
11	SM-24	PISTON PIN	44	M5x14	SCREW	71	OR-57	O-RING
12	CY-10	CYLINDER	45	MZ-26	MAGAZINE COVER	72	VS-23	VALVE PLUNGER
13	OR-48	CYLINDER O-RING	46	SM-06	PIN	73	WS-29	PLUNGER GUIDE
14	RP-08	RETURN SEAL	47	M3x4	SCREW	74	OR-08	O-RING
18	BD-20	BODY	49	SM-26	ROD			
21	OR-51	VALVE CAP SEAL	50	M4x4	SCREW			
30	ES-13	VALVE COVER	51	SP-26	PUSHER SPRING			
31	WS-02	WASHER	52	FD-20	PUSHER			
32	M4x10	SCREW	53	MZ-27	MAGAZINE			
33	E-2.5	E-RING	54	CA-08	CAP ASSEMBLY			

